

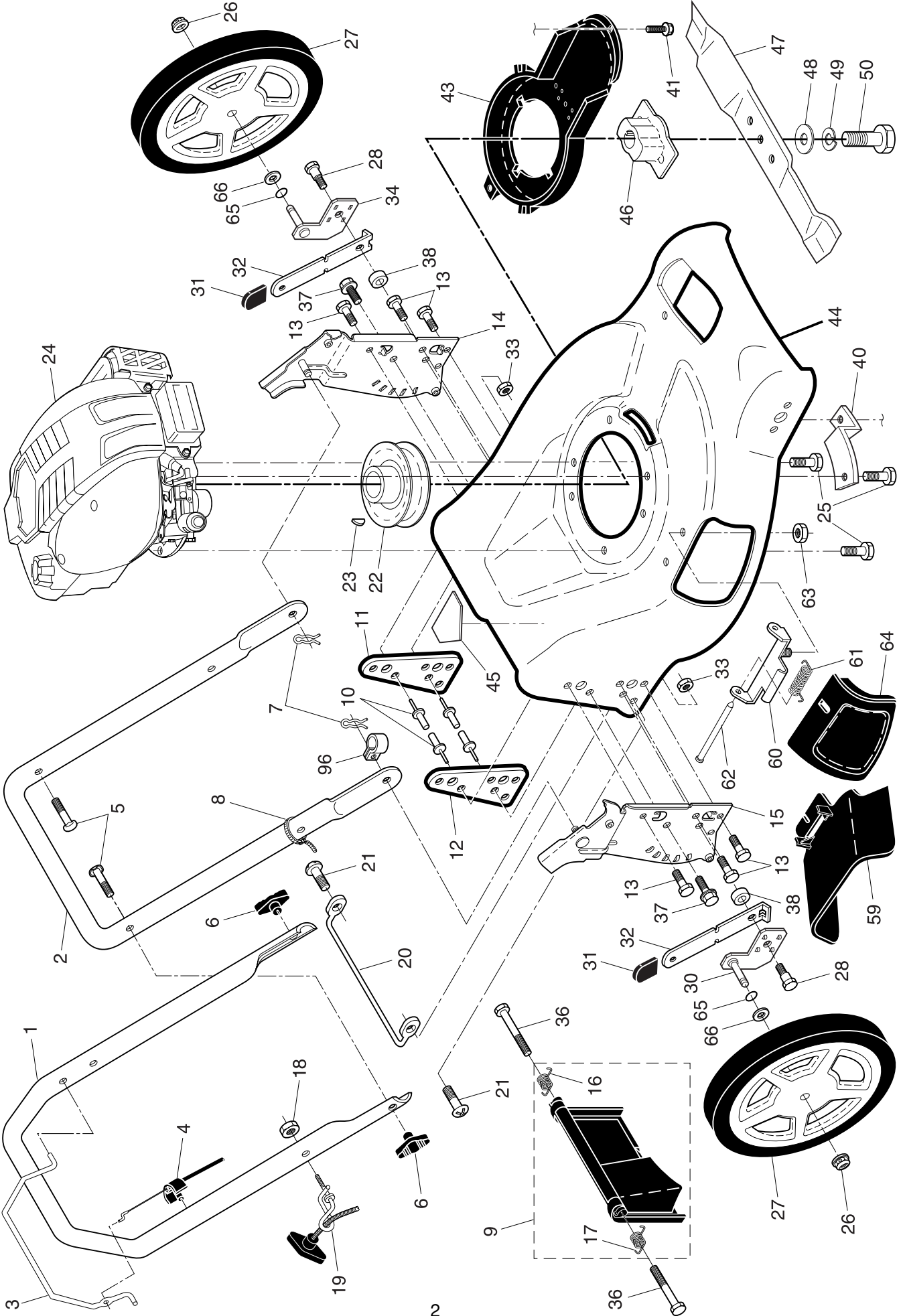
ILLUSTRATED PARTS LIST

MODEL NUMBER PP7053D

PRODUCT NUMBER 961 41 00-83

MFG. ID. NUMBER 96141008300

ROTARY LAWN MOWER - - MODEL NUMBER PP7053D (96141008300) PRODUCT NUMBER 961 41 00-83

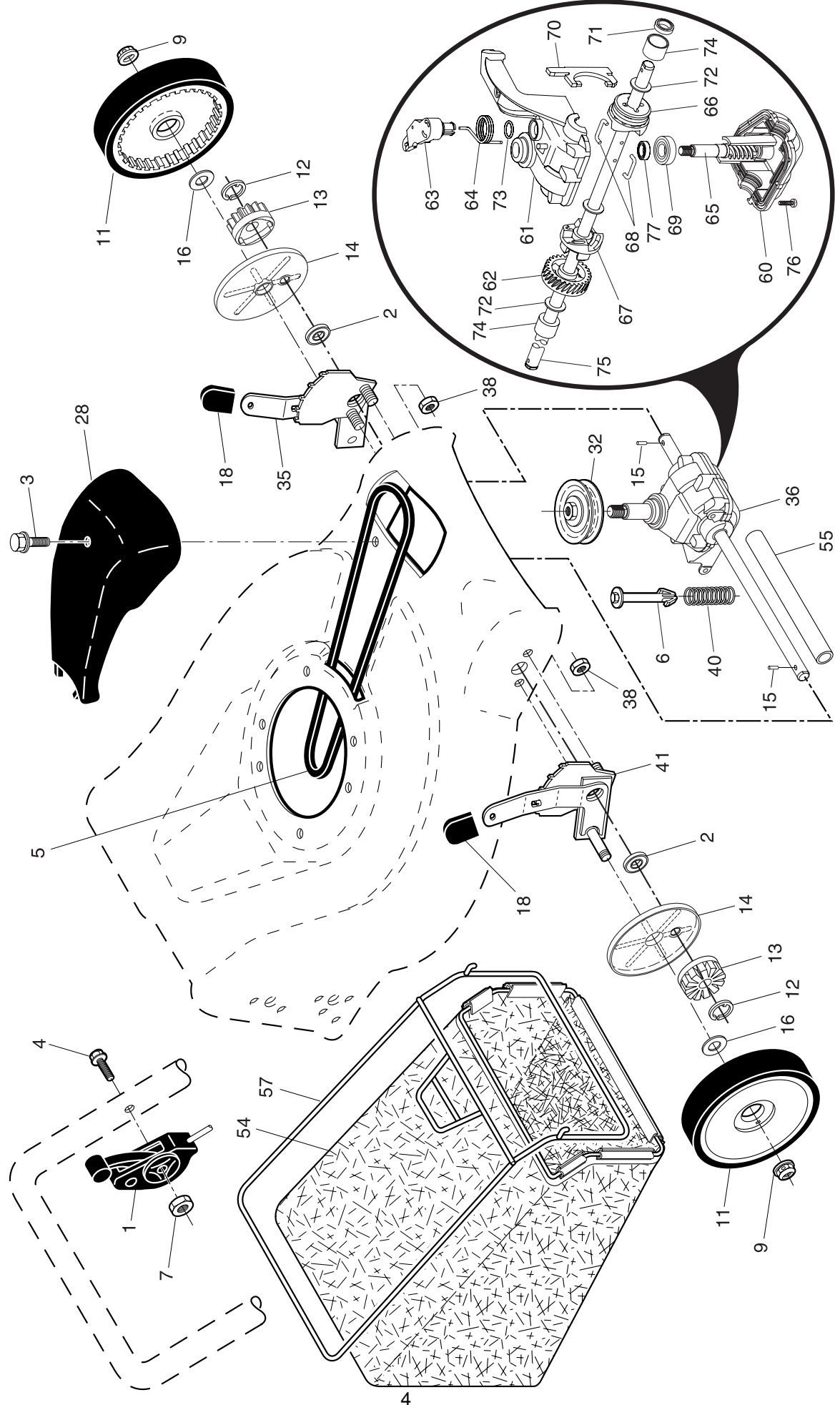


ROTARY LAWN MOWER - - MODEL NUMBER PP7053D (96141008300) PRODUCT NUMBER 961 41 00-83

KEY NO.	PART NO.	DESCRIPTION	KEY NO.	PART NO.	DESCRIPTION
1	532 40 29-37	Upper Handle	31	532 08 78-77	Selector Knob
2	532 15 36-05	Lower Handle	32	532 19 01-57	Selector Spring
3	532 18 99-03	Control Bar	33	873 80 05-00	Nut, Hex 5/16-18
4	532 18 35-67	Engine Zone Control Cable	34	532 40 25-72	Axle Arm Assembly, Rear, LH
5	532 19 15-74	Handle Bolt	36	532 18 41-93	Bolt
6	532 19 19-38	Handle Knob	37	532 15 00-78	Thread Cutting Screw w/Sems 5/16-18 x 3/4
7	532 05 17-93	Hairpin Cotter	38	819 11 22-06	Washer
8	532 06 64-26	Wire Tie	41	532 19 23-25	Screw, Debris Shield
9	532 18 04-79	Rear Door Kit (Includes Key Numbers 16 and 17)	43	532 18 87-84	Debris Shield
10	532 12 84-15	Pop Rivet	44	532 40 07-51	Lawn Mower Housing (Includes Key Numbers 10, 11, 12 and 45)
11	532 18 25-38	Support Bracket, LH	45	532 18 21-66	Danger Decal
12	532 18 25-39	Support Bracket, RH	46	532 18 46-32	Blade Adapter
13	817 06 04-10	Screw 1/4-20 x 5/8	47	532 19 93-77	Blade, 21"
14	532 18 25-43	Handle Bracket Assembly, LH	48	532 85 10-74	Hardened Washer
15	532 18 25-45	Handle Bracket Assembly, RH	49	532 85 02-63	Helical Washer 3/8-24 x 1-3/8 Grade 8
16	532 18 00-71	Spring, Rear Door, LH	50	532 85 10-84	Hex Head Machine Screw 3/8-24 x 1-3/8 Grade 8
17	532 18 00-72	Spring, Rear Door, RH	59	532 17 50-71	Clipping Deflector
18	532 13 20-04	Keps Locknut 1/4-20	60	532 17 57-35	Hinge Bracket Assembly
19	532 19 47-88	Rope Guide	61	532 19 30-00	Spring
20	532 17 92-05	Foot Guard, C.E.	62	532 17 56-50	Rod, Hinge
21	532 05 45-83	Screw, Tapping 1/4-20 x 1/2	63	873 80 04-00	Locknut, Hex 1/4-20
22	532 18 49-41	Engine Pulley	64	532 17 50-66	Mulcher Door
23	532 18 77-23	Hi-Pro Key	65	532 19 74-80	O-Ring
24	---	Engine, Briggs & Stratton, Model Number 128602 (order parts from engine manufacturer)	66	532 08 83-48	Washer, Flat 3/8
25	532 15 04-06	Hex Head Thread Rolling Screw 3/8-16 x 1-1/8	96	532 19 79-91	Clip, Cable
26	532 14 52-12	Hex Flange Nut	--	532 18 21-34	Decal, Self-Propelled, Internal (not shown)
27	532 40 31-22	Wheel & Tire Assembly	--	532 40 07-56	Operator's Manual, European
28	532 16 08-28	Shoulder Bolt 5/16-18 x .33	--	532 40 07-55	Operator's Manual, Scandinavian
29	532 19 09-39	Mounting Bracket, Debris Shield	--	532 40 07-54	Operator's Manual, East Bloc
30	532 40 25-71	Axle Arm Assembly, Rear, RH	--	532 40 07-53	Operator's Manual, Baltic

NOTE: All component dimensions given in U.S. inches. 1 inch = 25.4 mm. **IMPORTANT:** Use only Original Equipment Manufacturer (O.E.M.) replacement parts. Failure to do so could be hazardous, damage your lawn mower and void your warranty.

ROTARY LAWN MOWER - - MODEL NUMBER PP7053D (96141008300) PRODUCT NUMBER 961 41 00-83



ROTARY LAWN MOWER - - MODEL NUMBER PP7053D (96141008300) PRODUCT NUMBER 961 41 00-83

KEY NO.	PART NO.	DESCRIPTION	KEY NO.	PART NO.	DESCRIPTION
1	532 18 45-88	Drive Control Assembly (Includes Cable)	54	532 40 05-59	Grassbag Assembly
2	532 19 10-39	Bearing, Wheel Adjuster	55	532 17 57-39	Driveshaft Cover
3	532 17 52-62	Pan Head Tapping Screw #10-24 x 2-3/4	57	532 19 46-43	Frame, Grassbag
4	532 15 87-55	Hex Washer Head Screw 1/4-20 x 2.12	60	532 18 34-97 *	Case, Lower
5	532 17 54-36	V-Belt	61	532 18 34-98 *	Case, Upper
6	532 15 04-95	Spring Retainer	62	532 18 34-99	Gear, 27 Teeth
7	532 19 17-30	Nut, Hex, Flanged 1/4-20	63	532 18 35-00	Lever, Clutch
9	532 08 93-23	Locknut, Hex	64	532 18 35-01	Spring, Return
11	532 19 80-88	Wheel & Tire Assembly	65	532 18 35-02	Shaft, Input
12	812 00 00-58	E-Ring	66	532 18 35-03	Dog, Movable
13	532 75 00-03	Pinion	67	532 18 35-04	Dog, Fixed
14	532 18 94-03	Dust Cover	68	532 18 35-05	Wire, Formed
15	532 19 10-17	Pawl, Drive	69	532 18 35-06	Bearing, Ball
16	532 06 77-25	Washer 1/2 x 1-1/2 x .134	70	532 18 35-07	Fork, Shift
18	532 08 78-77	Selector Knob	71	532 18 35-08	Seal, Output Shaft
28	532 18 14-67	Drive Cover	72	532 18 35-09	Washer
32	532 19 41-26	Drive Pulley	73	532 18 35-10	Seal, Case
35	532 19 51-10	Kit, Wheel Adjuster, LH (Includes Knob and Bearing)	74	532 18 35-11	Bushing
36	532 19 49-35	Gear Case Assembly, Complete	75	532 19 66-13	Shaft, Output
38	873 80 04-00	Locknut, Hex 1/4-20	76	532 18 35-13	Screw
40	532 13 70-90	Spring	77	532 18 35-14	Seal, Input Shaft
41	532 19 51-07	Kit, Wheel Adjuster, RH (Includes Knob and Bearing)			

* Use Dow Corning #709 to reseal Gear Case Halves.

NOTE: All component dimensions given in U.S. inches. 1 inch = 25.4 mm. **IMPORTANT:** Use only Original Equipment Manufacturer (O.E.M.) replacement parts. Failure to do so could be hazardous, damage your lawn mower and void your warranty.